

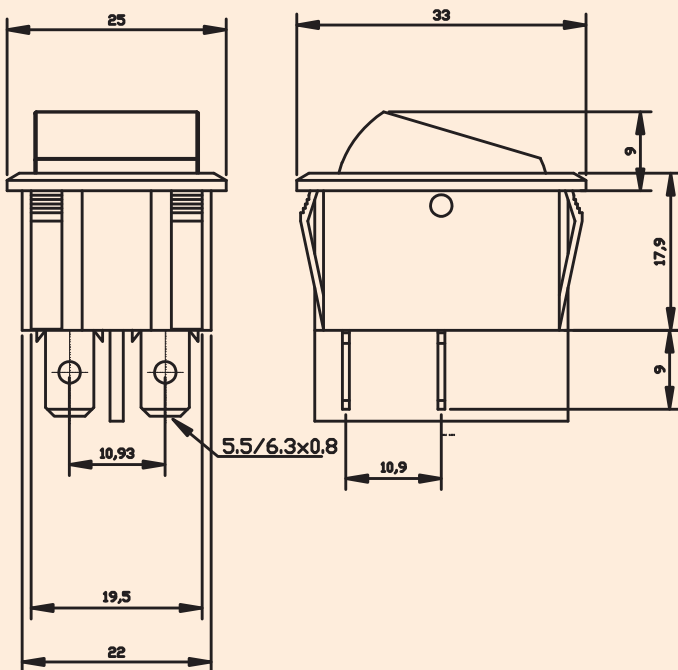
Rocker Switch NRS 1600 Series



MATERIALS

- Housing : Polyamide (Nylon 66)
- Rocker : Polycarbonate
- Contacts : Silver alloy / Cu alloy
- Terminal : Cu Alloy Silver / Tin plated
- Lamp : Neon Lamp
- Movable Arm : Cu Alloy, Silver/ Tin Plated

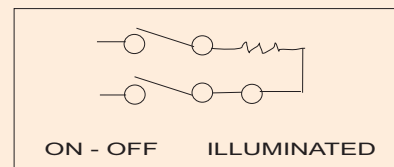
DIMENSIONS



TECHNICAL INFORMATION

- Electrical Rating : 16A 250VAC/20A 125VAC(UL)
6A 250VAC/9A 125V AC, 12V/24V DC
- Degree of protect: Ip 40
- Mechanical life: Over 30000 cycles
- Electrical life: Over 10000 cycles
- Contact resistance: <10m ohm
- Insulation resistance: >20M ohm
- High voltage resistance: >1500V 1 min.
- Ambient temperature: -20°C to +85°C
- Atmospheric humidity: Max.85%
- Temperature rise at the terminal: Max 30°C (UL1054)
- Solder ability of terminal: Max 350°C,3s

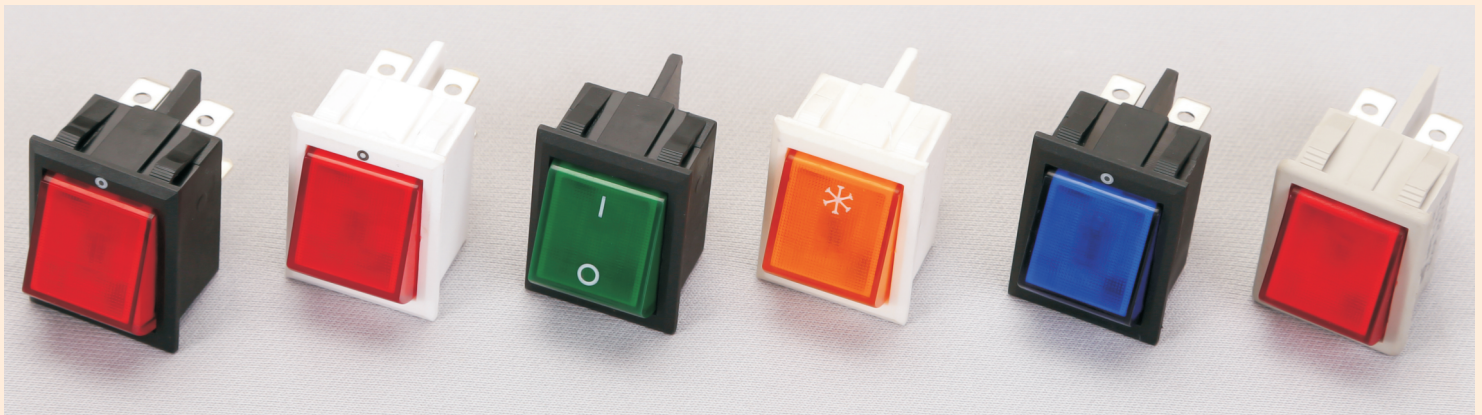
CIRCUIT DIAGRAM



- Current rating : 16A, 250VAC/20A 125VAC(UL)
6A 250VAC/9A 125V AC, 12V/24V DC
- Function : S1 (DPST)
- Type : IL (Illuminated)
- Cut out Size : 22 mm X 30 mm

PANEL CUT OUT

Panel Thickness z (mm)	X (mm)	Y (mm)
0.70~1.25	22.00	30.00
1.25~2.00	22.00	30.20
2.00~3.00	22.00	30.40



NRS 1600